

# CM Technology



## Key Performance Features:

- 260 to 670 oz-in Continuous Torque
- 12-120 VDC Typical
- Smooth 4-Pole Performance
- Dynamically Balanced Armatures
- Stainless Steel Shaft
- Round or Optional NEMA 42 Flange Mounting
- RoHS Compliant

# BR40

## Brushed Servo Motors

### Motor Characteristics:

Frame Size	Stack Length	Peak Stall	Cont. Stall	Rotor	Friction	Thermal	Max	Max	Power	Weight
		Torque (T <sub>P</sub> ) oz-in	Torque (T <sub>C</sub> ) oz-in	Inertia (J <sub>M</sub> ) oz-in-sec <sup>2</sup>	Torque (T <sub>F</sub> ) oz-in	Resistance (R <sub>M</sub> ) °C/watt	Rated Speed rpm	Winding Temp. °C	Rating watts	pounds
<b>BR40 - 200</b>		1200	260	0.16	12	2.0	3000	155	290	10
<b>BR40 - 300</b>		1984	435	0.24	14	1.3	3000	155	450	13
<b>BR40 - 400</b>		2480	535	0.30	16	0.98	3000	155	600	15
<b>BR40 - 500</b>		3040	670	0.37	18	0.79	3000	155	760	17

### Sample Windings:

Consult CM Tech Application Staff for other available windings

Frame Size	BR40 - 200				BR40 - 300				BR40 - 400				BR40 - 500			
Windings	A	C	E	G	A	C	E	G	A	C	E	G	A	C	E	G
Torque Constant (kt) Oz-in/amp	18.0	25.8	43.2	65.1	25.0	37.7	58.2	92.5	31.8	47.8	75.6	119.0	38.0	56.3	89.3	142.0
Voltage Constant (ke) Volts/Krpm	13.3	19.1	31.9	48.1	18.5	27.8	43.0	68.4	23.5	35.4	56.0	88.0	28.1	41.6	66.0	105.0
Term. Resistance (Rt) Ohms (cold)	0.31	0.76	1.5	2.96	0.5	0.6	1.60	3.4	0.57	0.75	1.8	5.2	0.8	1.15	2.36	5.5
Peak Current (A) Amps	80	50	32	20	80	50	32	20	80	50	32	20	80	50	32	20
Cont.. Current (A) Amps	17	10	7	4	17	10	7	4	17	10	7	4	17	10	7	4

Values as listed based on actual tested results, Application test results may vary, Subject to change

For more options or assistance contact CM Technology with your application needs  
 Phone (978) 664-6218 • Fax (978) 664-6219 • E-mail: [sales@cmtechllc.com](mailto:sales@cmtechllc.com)

## BR40 Optional Features:

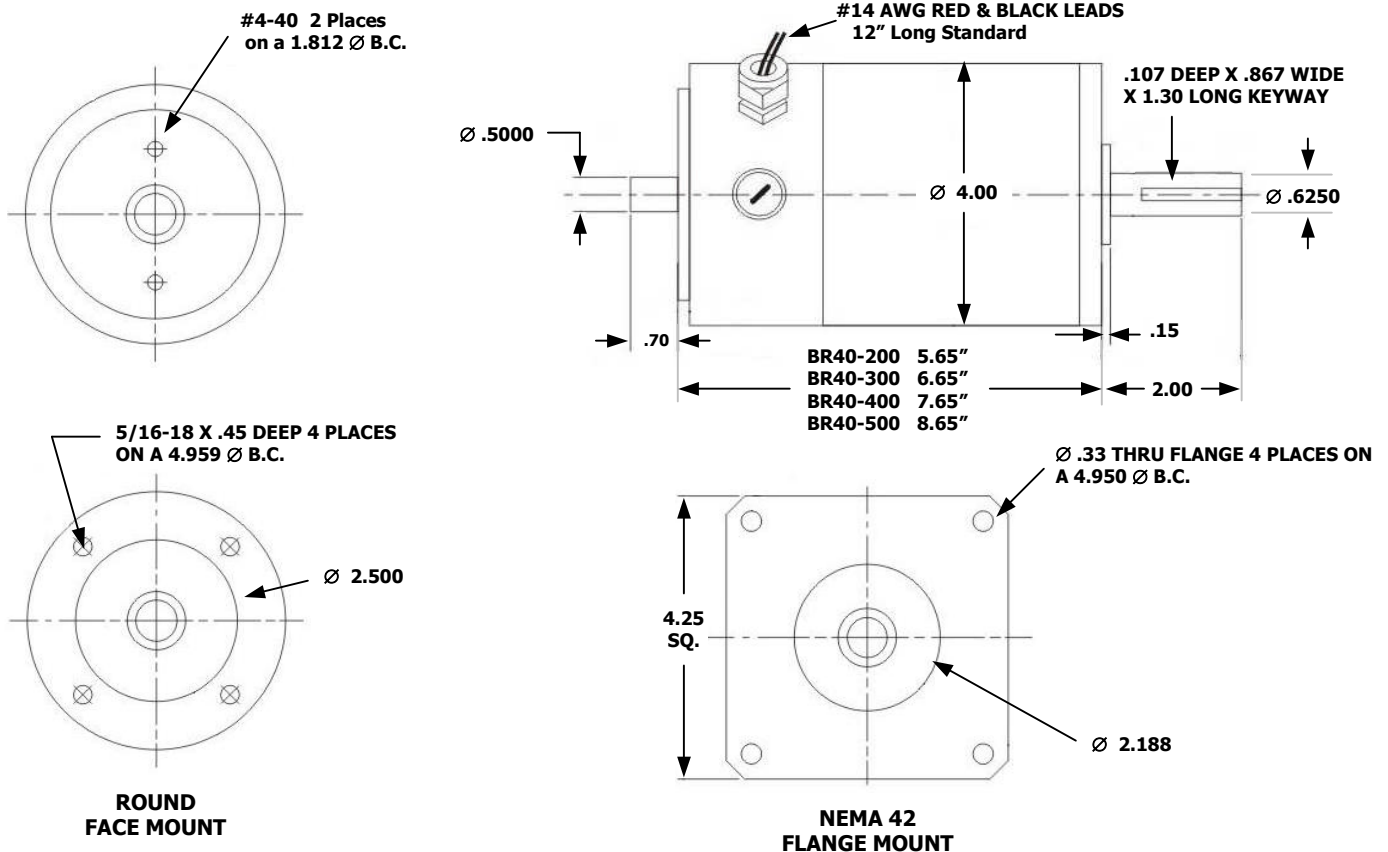
- Customized Feed Back  
Encoders, Tachometers, Resolvers
- Gearbox and Brakes
- NEMA 42 Flange Mounting
- IP 65 Sealing
- Application Specific Windings
- Custom Mechanical and Packaging Design and Harnessing

## BR40 Typical Applications

- Machine Tools and Accessories
- Electric Vehicles
- Robotics
- Factory Automation
- Material Handling Equipment
- Imaging and Printing Equipment
- Medical & Pharmaceutical Equipment

Contact CM Technology for your customized application solutions

# CM Technology



For more options or assistance contact CM Technology with your application needs  
 Phone (978) 664-6218 • Fax (978) 664-6219 • E-mail: [sales@cmtechllc.com](mailto:sales@cmtechllc.com)