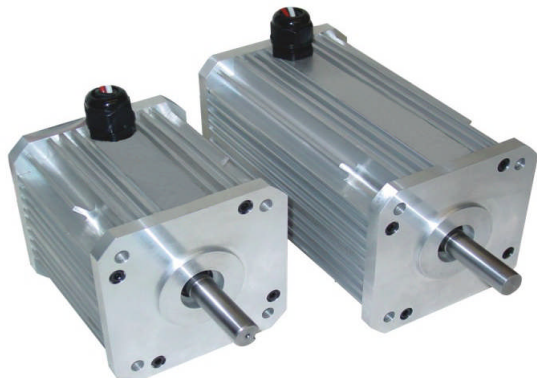


CM Technology



Key Performance Features:

- 285 to 715 oz-in Continuous Torque
- 24-600 VDC Typical
- Operating Speeds to 6,000 RPM
- 8-Pole Neodymium Magnets Performance
- Dynamically Balanced Rotors
- Stainless Steel Shaft
- RoHS Compliant, CE Certification

BL348

Brushless Servo Motors

Motor Characteristics

FRAME SIZE	STACK LENGTH	Peak Stall Torque (Tp) oz-in	Cont. Stall Torque (Tc) oz-in	Friction & Cogging Torque (Tf) oz-in	Rotor Inertia (Jm) oz-in-sec ²	Thermal Resistance (Rth) degC/Watt	Max Recom'd Speed RPM	Max Winding Temp C	Elec Time Constant (Te) msec	Power Range W	Weight lb
BL348	200	810	285	10.5	0.009	0.52	6000	155	2.8	340	5.8
BL348	300	1130	400	13.8	0.014	0.51	6000	155	3.0	570	7.4
BL348	400	1460	515	17.0	0.013	0.49	6000	155	3.1	800	9.0
BL348	600	1780	715	23.0	0.032	0.47	6000	155	3.3	1230	11.6

Sample Windings

CONSULT CM Technology APPLICATION STAFF FOR OTHER AVAILABLE WINDINGS

	BL348 - 200				BL348 - 300				BL348 - 400				BL348 - 600			
	E	G	I	K	E	G	I	K	E	G	I	K	E	G	I	K
Torque Constant (Kt) oz-in/amp	26.5	40.9	65.4	103.9	69.60	61.8	98.6	156.7	52.8	82.2	131.3	208.6	79.9	123.3	186.9	312.8
Voltage Constant (Ke) Volts/Krpm	19.6	38.4	48.3	76.8	39.3	45.7	72.9	115.9	69.0	60.8	87.0	154.2	58.5	81.2	145.6	231.3
L-L Resistance (Ra) Ohms (cold)	0.70	2.85	4.50	11.40	0.89	2.20	5.40	17.10	1.30	3.20	7.90	19.60	1.38	3.50	8.6	21.47
Inductance (L-L) mH	1.75	6.49	10.20	25.40	2.53	6.30	15.75	40.13	4.90	12.10	30.00	77.00	5.40	13.50	36.70	84.01
Peak Current (A) Amps	40	30	20	10	40	30	20	10	40	30	20	10	40	30	20	10

VALUES AS LISTED ARE TEST CONDITIONS. ACTUAL RESULTS MAY VARY

For more options or assistance contact CM Technology with your application needs
 Phone (978) 664-6218 • Fax (978) 664-6219 • E-mail: sales@cmtechllc.com

BL348 Series Options

- Feedback: Hall Sensors, Resolvers, Optical Encoders Commutation Encoders
- Accessories: Gear Boxes, Brakes & Pumps
- Application Specific Windings and Mechanical Interface Designs
- Custom Cables and Connectors
- IP 67 Sealing

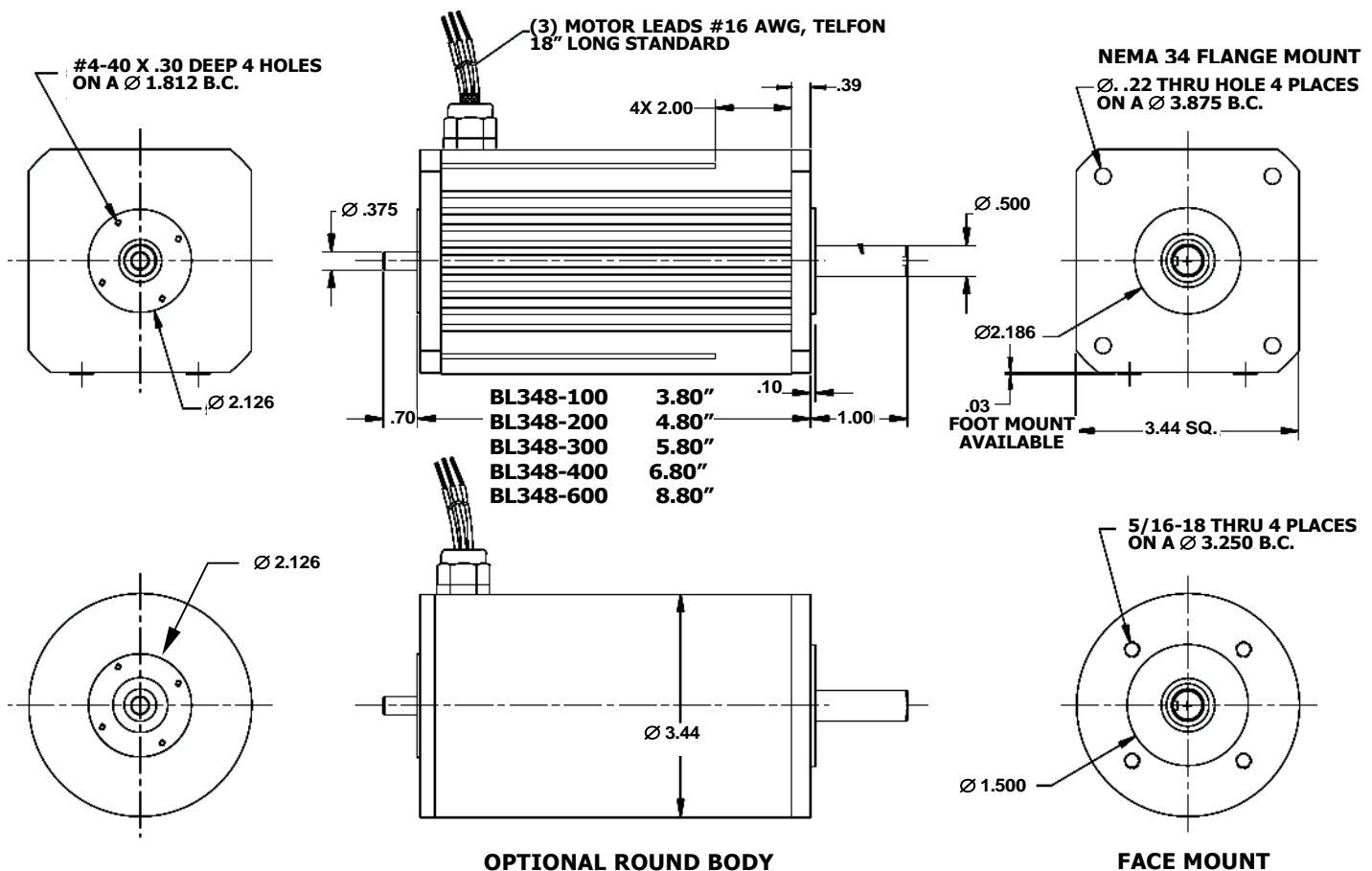
Typical Applications

- Hybrid, Electrical Vehicle Systems
Commercial, Off Road, Fleet & Military
- Hydraulic Power Steering
- Compressor
- Vehicle Hydraulic Accessories
- Robotic Wheel Motors

Contact CM Technology for your customized application solutions

CM Technology

BL 348 Series Square Flange Mount with Finned Body



For more options or assistance contact CM Technology with your application needs
 Phone (978) 664-6218 • Fax (978) 664-6219 • E-mail: sales@cmtechllc.com