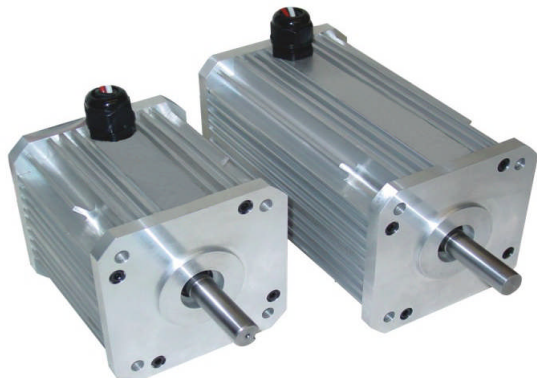


CM Technology



Key Performance Features:

- 265 to 685 oz-in Continuous Torque
- 24-600 VDC Typical
- Operating Speeds to 6,000 RPM
- 4-Pole Neodymium Magnets Performance
- Dynamically Balanced Rotors
- Stainless Steel Shaft
- RoHS Compliant, CE Certification

BL344

Brushless Servo Motors

Motor Characteristics

FRAME SIZE	STACK LENGTH	Peak Stall Torque (Tp) oz-in	Cont. Stall Torque (Tc) oz-in	Friction & Cogging Torque (Tf) oz-in	Rotor Inertia (Jm) oz-in-sec ²	Thermal Resistance (Rth) degC/Watt	Max Recom'd Speed RPM	Max Winding Temp C	Elec Time Constant (Te) msec	Power Range W	Weight lb
BL344	200	750	265	10.5	0.009	0.52	6000	155	2.6	285	5.8
BL344	300	1050	370	13.8	0.014	0.51	6000	155	3.1	525	7.4
BL344	400	1350	475	17.0	0.013	0.49	6000	155	3.4	735	9.0
BL344	600	1950	685	24.0	0.022	0.47	6000	155	4.1	1145	13.0

Sample Windings

CONSULT CM Technology APPLICATION STAFF FOR OTHER AVAILABLE WINDINGS

	BL344 - 200				BL344 - 300				BL344 - 400				BL344 - 600			
	E	G	I	K	E	G	I	K	E	G	I	K	E	G	I	K
Torque Constant (Kt) oz-in/amp	29.1	42.6	67.6	107.4	39.2	63.0	100.6	159.6	53.3	83.0	132.5	210.6	79.9	124.5	198.8	315.9
Voltage Constant (Ke) Volts/Krpm	21.5	31.5	50.0	79.4	29.0	46.6	74.4	118.0	39.4	61.4	98.0	155.7	59.1	92.0	147.0	233.6
L-L Resistance (Ra) Ohms (cold)	0.84	2.09	5.20	12.96	1.05	2.62	6.50	16.50	1.26	3.15	7.67	19.58	1.79	4.46	11.15	27.83
Inductance (L-L) mH	2.60	6.49	16.00	39.94	3.50	9.01	22.48	57.10	4.59	11.46	28.60	77.60	7.71	19.25	48.05	119.96
Peak Current (A) Amps	40	30	20	10	40	30	20	10	40	30	20	10	40	30	20	10

VALUES AS LISTED ARE TEST CONDITIONS. ACTUAL RESULTS MAY VARY

For more options or assistance contact CM Technology with your application needs
 Phone (978) 664-6218 • Fax (978) 664-6219 • E-mail: sales@cmtechllc.com

BL344 Series Options

- Feedback: Hall Sensors, Resolvers, Optical Encoders Commutation Encoders
- Accessories: Gear Boxes, Brakes & Pumps
- Application Specific Windings and Mechanical Interface Designs
- Custom Cables and Connectors

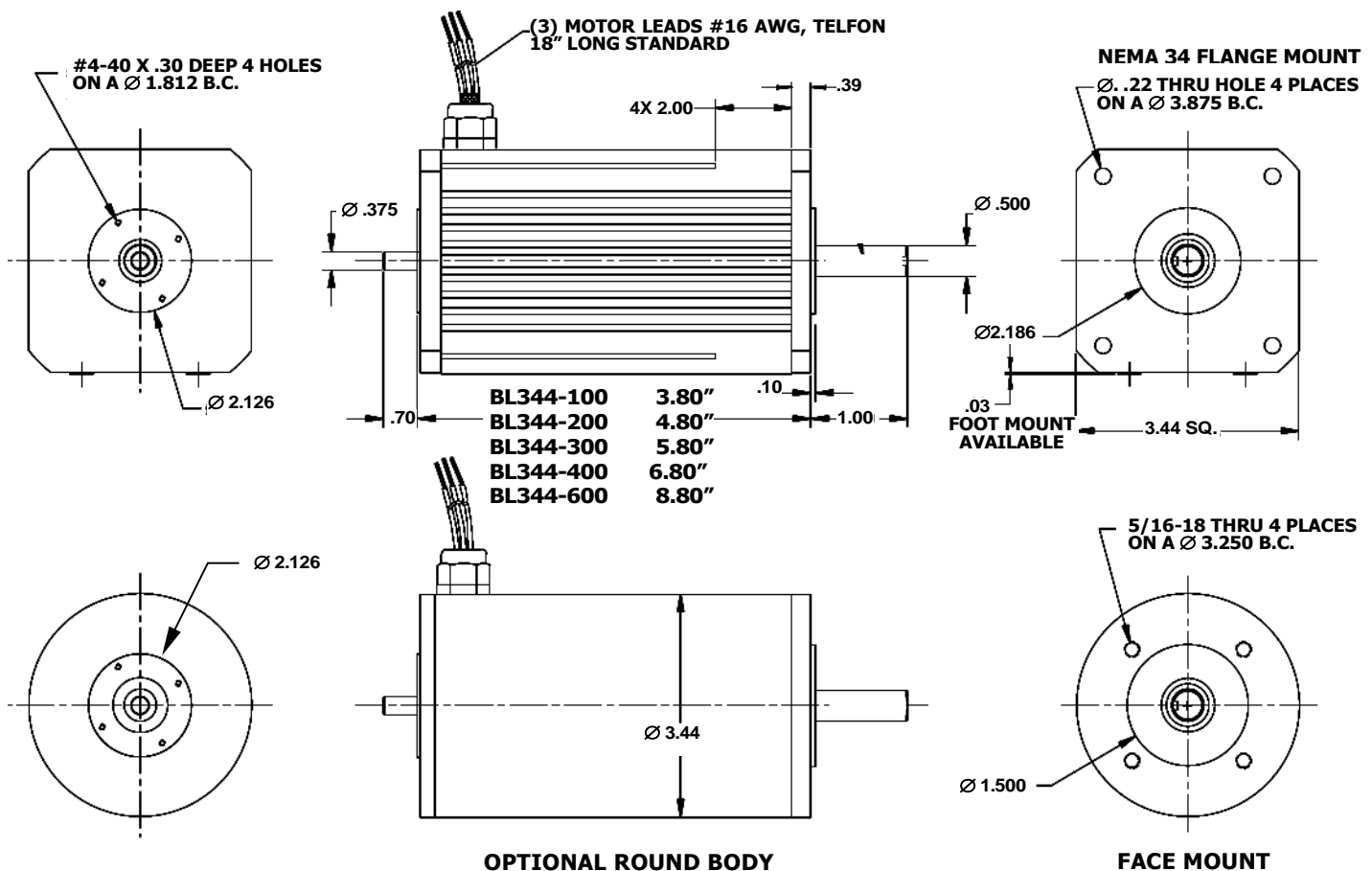
Typical Applications

- Hybrid, Electrical Vehicle Systems
Commercial, Off Road, Fleet & Military
- Hydraulic Power Steering
- Compressor
- Vehicle Hydraulic Accessories
- Robotic Wheel Motors

Contact CM Technology for your customized application solutions

CM Technology

BL 344 Series Square Flange Mount with Finned Body



**For more options or assistance contact CM Technology with your application needs
 Phone (978) 664-6218 • Fax (978) 664-6219 • E-mail: sales@cmtechllc.com**